

## DETAILS

<b>Product Number</b>	CN13105_LENA-M
<b>Family</b>	Lena
<b>Type</b>	RefPack
<b>Color</b>	metal
<b>Diameter</b>	111 mm
<b>Height</b>	84,6 mm
<b>Style</b>	round
<b>Optic Material</b>	
<b>Holder Material</b>	
<b>Fastening</b>	screw, socket
<b>Status</b>	production ready
<b>ROHS Compliant</b>	Yes
<b>Date Updated</b>	23/02/2014

## OPTICAL PROPERTIES

LED	Viewing Angle	Light Beam	Effi- ciency	cd/lm	Connector
Soleriq E30	25 deg	Medium	85 %	3.350	-

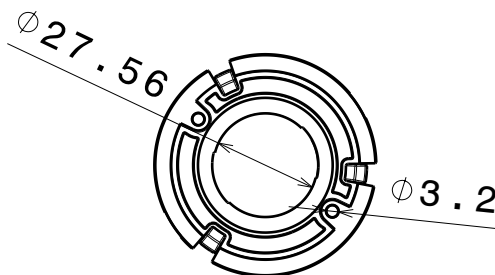
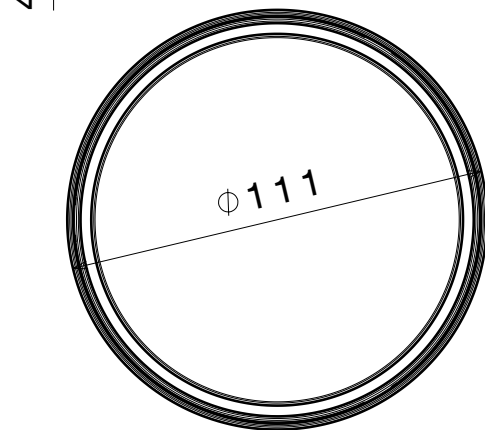
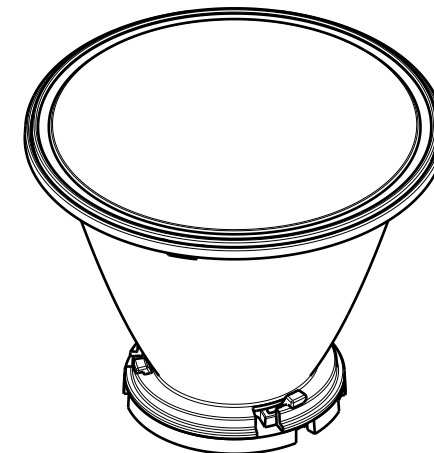
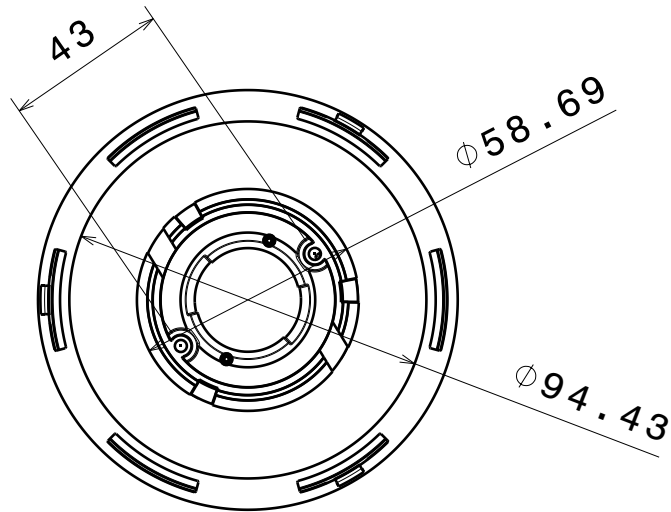
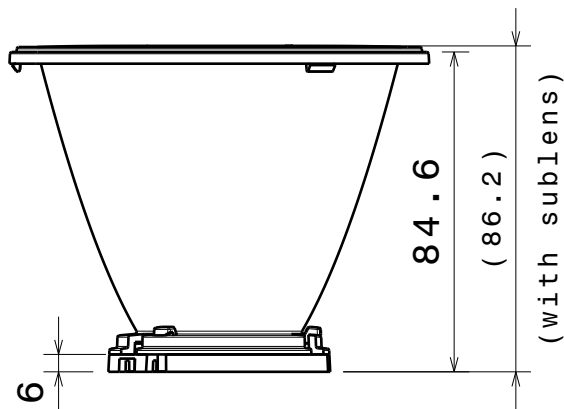


D

C

B

A



Material:

subLens  
- PC

Reflector  
- PC  
- Metal coating and clear lacquer

Holder base  
- PC  
- Color white

This drawing is our property.  
It can't be reproduced  
or communicated without  
our written agreement.



Ledil Oy  
Salorankatu 10  
FIN 24240 SALO  
Finland

DRAWING TITLE

LENA-SOLERIQ-E30 Mechanical drawing

DRAWN BY

as

DATE

24.07.2012

CHECKED BY

sn

DATE

3.8.2012

DESIGNED BY

as/pl

DATE

23.07.2012

SIZE

A4

PART NUMBER

REV

001

SCALE

1:2

WEIGHT

SHEET

1/1

D

A

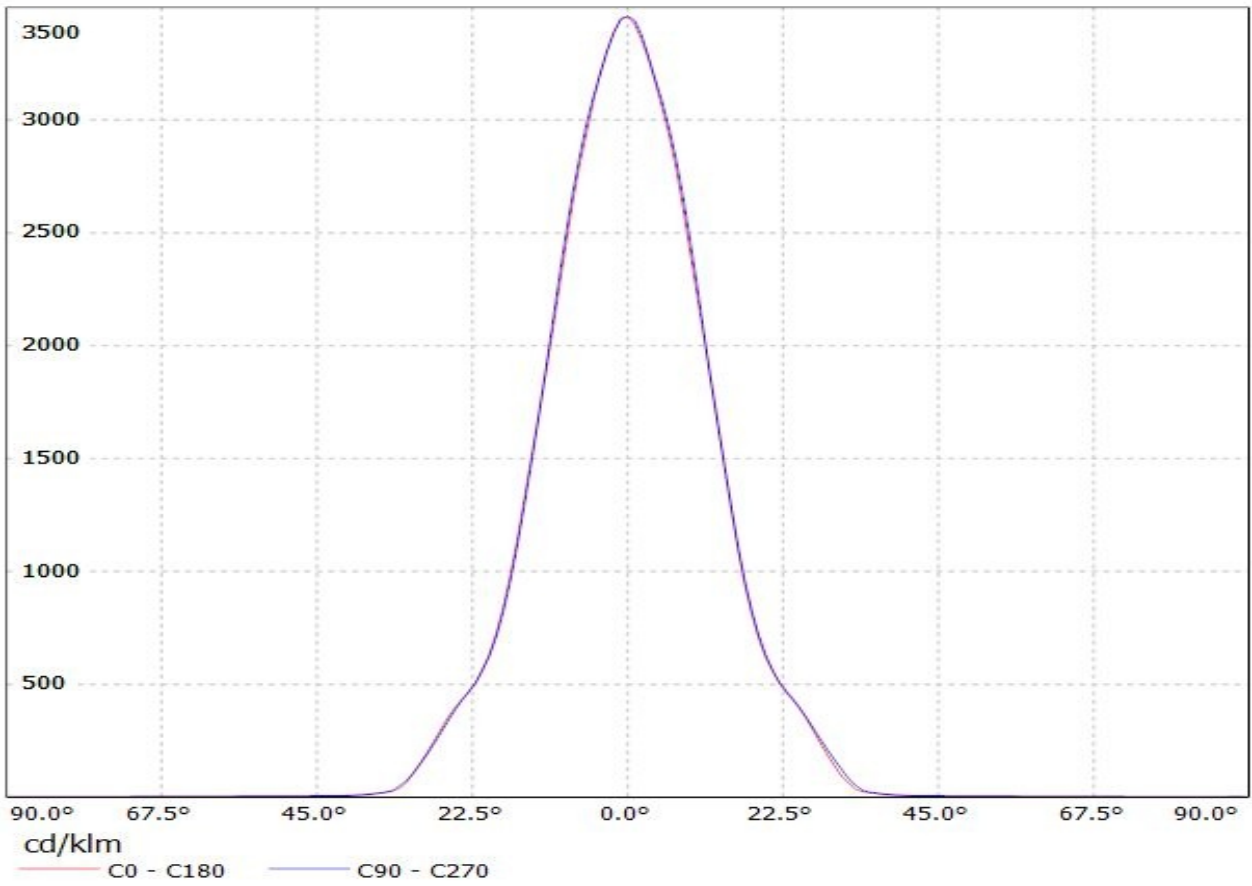
4

3

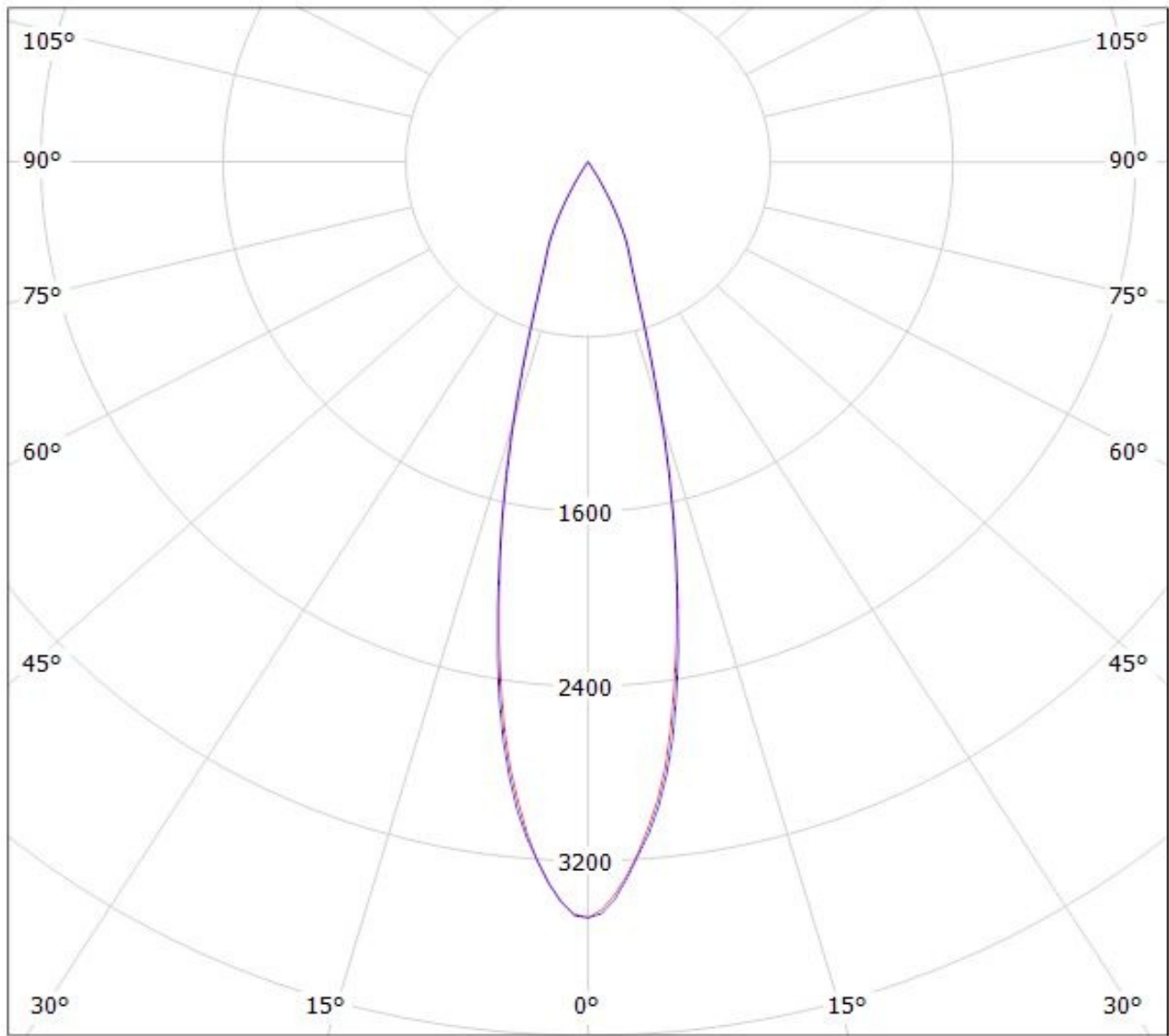
2

1

Luminaire: LEDiL Oy CN13105\_LENA-M\_(Soleriq\_E30) Eff.85%  
Lamps: 1 x Osram Soleriq E30 (1240lm@250mA)



Luminaire: LEDiL Oy CN13105\_LENA-M\_(Soleriq\_E30) Eff.85%  
Lamps: 1 x Osram Soleriq E30 (1240lm@250mA)



cd/klm

— C0 - C180 — C90 - C270

**NOTE: The typical divergence will be changed by different color, chip size and chip position tolerance. The typical total divergence is the full angle measured where the luminous intensity is half of the peak value.**

### **GENERAL INFORMATION**

- Product series especially designed & optimized for series of LEDs.
- Special care taken to make light distribution as uniform as possible.

Note! Due to use of high power COB's with this product, special attention to proper thermal design is highly recommended. LEDiL has no liability for direct, indirect or consecutive damages arising from the LEDiL products being used outside of the recommended temperature range.