

4

3

2

1

THIS DRAWING IS UNPUBLISHED.

RELEASED FOR PUBLICATION

20

© COPYRIGHT 20 BY -

ALL RIGHTS RESERVED.

LOC -

DIST -

REVISIONS

P	LTR	DESCRIPTION	DATE	DWN	APVD
B1		REVISED PER ECR-17-002252	16-Feb-17	R.Z.	C.W.

NOTES

1

MATERIAL:

HOUSING: HIGH TEMPERATURE THERMAL PLASTIC.  
CONTACT: COPPER ALLOY.

2

PLATING:

CONTACT: 0.30um MIN Pd/Ni , 0.05um MIN GOLD  
PLATING AT CONTACT AREA,  
GOLD FLASH AT SOLDER AREA. 2um MIN. NICKEL UNDER PLATING.

3

COPLANARITY: 0.10mm MAX.

4

RECOMMENDED THICKNESS OF METAL MASK FOR SOLDER: 0.10mm MIN.

5

INDICATED DATE CODE MARK.

2286981-1: AS SHOWN

THIS DRAWING IS A CONTROLLED DOCUMENT.

DWN 28-Feb-15

MURRAY.LU

CHK 28-Feb-15

SIMON.LI

APVD 28-Feb-15

COREI.WANG

PRODUCT SPEC

108-115084

APPLICATION SPEC

-

WEIGHT

0.04g

NAME

BLOCK MICRO SD CARD CONNECTOR

SIZE

A3

CAGE CODE

00779

DRAWING NO

C-2286981

RESTRICTED TO

-

DIMENSIONS:

mm

TOLERANCES UNLESS OTHERWISE SPECIFIED:

0 PLC	±0.2
1 PLC	±0.15
2 PLC	±0.1
3 PLC	±-
4 PLC	±-
ANGLES	±-

MATERIAL

1

FINISH

2

Customer Drawing

SCALE

-

SHEET

1

OF

2

REV

B1

1470-19 (3/11)

THIS DRAWING IS UNPUBLISHED.

RELEASED FOR PUBLICATION

20

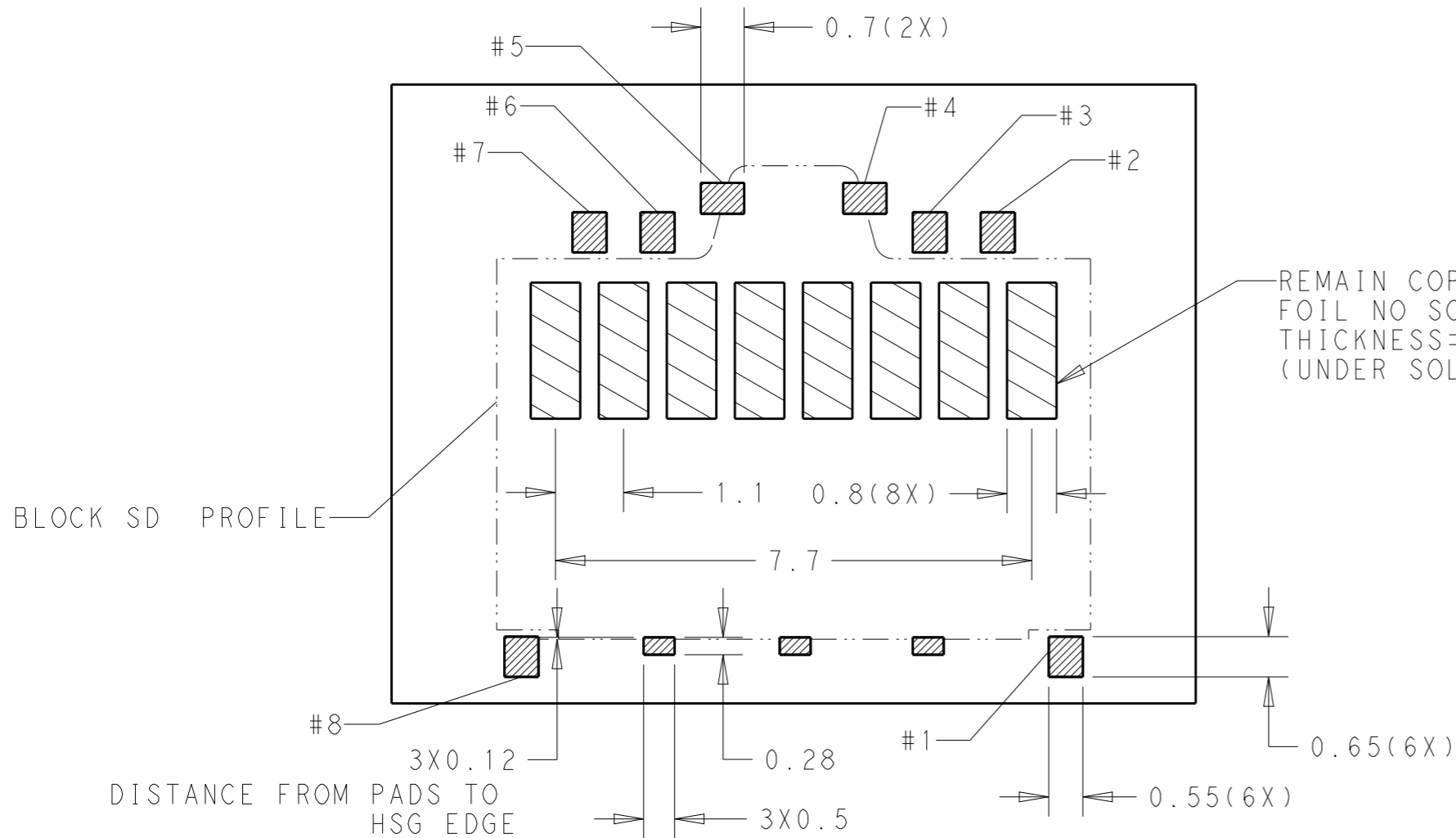
© COPYRIGHT 20 BY -

ALL RIGHTS RESERVED.

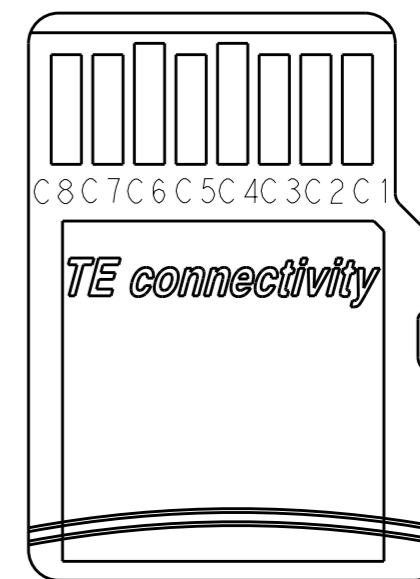
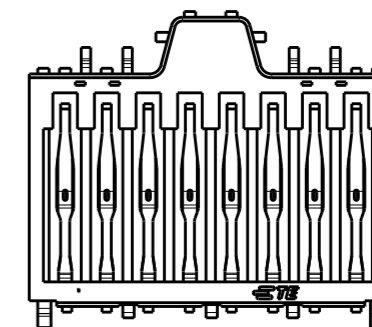
LOC - DIST -

REVISIONS

P	LTR	DESCRIPTION	DATE	DWN	APVD
B1		REVISED PER ECR-17-002252	16-Feb-17	R.Z.	C.W.

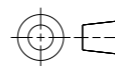


RECOMMENDED PWB LAYOUT  
ALL DIMENSION TOLERANCE ±0.05



THIS DRAWING IS A CONTROLLED DOCUMENT.

DIMENSIONS:  
mm



TOLERANCES UNLESS OTHERWISE SPECIFIED:

0 PLC	±0.2
1 PLC	±0.15
2 PLC	±0.1
3 PLC	±-
4 PLC	±-
ANGLES	±-

MATERIAL

FINISH

DWN 28-Feb-15

MURRAY.LU

CHK 28-Feb-15

SIMON.LI

APVD 28-Feb-15

COREI.WANG

PRODUCT SPEC

108-115084

APPLICATION SPEC

-

WEIGHT

0.04g

Customer Drawing



TE Connectivity

NAME  
BLOCK MICRO SD CARD CONNECTOR

-

SIZE	CAGE CODE	DRAWING NO	RESTRICTED TO
------	-----------	------------	---------------

A3	00779	C-2286981	-
----	-------	-----------	---

SCALE -	SHEET 2 OF 2	REV B1
---------	--------------	--------