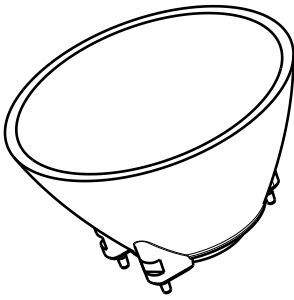


D

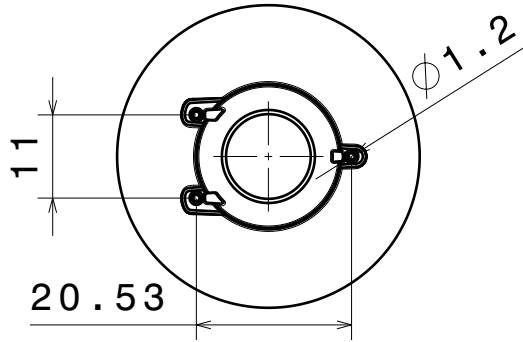
C

B

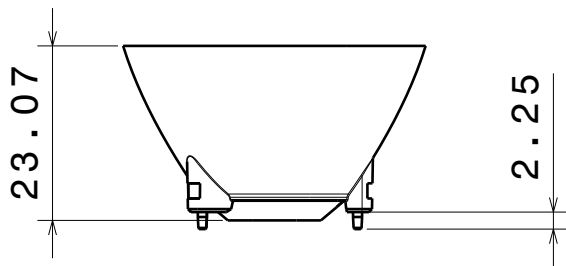
A



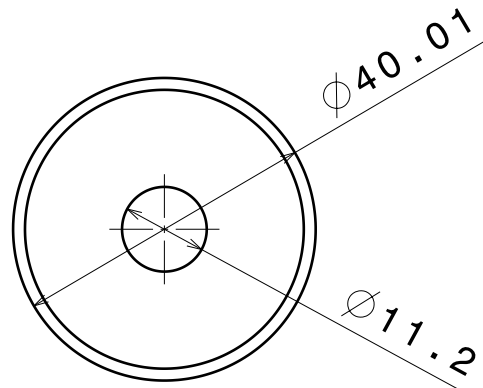
Isometric view  
Scale: 1:1



Bottom view  
Scale: 1:1



Front view  
Scale: 1:1



Top view  
Scale: 1:1

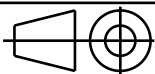
| INDEX | DESCRIPTION | MATERIAL | COLOUR |
|-------|-------------|----------|--------|
| 1     | Tyra series | PC       | metal  |

Tolerances if not otherwise shown  
According to DIN ISO 2768-1  
Linear measures:  
up to 30mm class M, otherwise class C  
According to DIN ISO 2768-2  
Form and position: class L

**LEDiL**

Ledil Oy  
Salorankatu 10  
FIN 24240 SALO  
Finland

THIRD ANGLE PROJECTION:



DRAWING TITLE

Tyra series datasheet

This drawing is the property  
of LEDiL Oy. It may not be  
reproduced, copied or  
communicated without a written  
agreement with LEDiL Oy.

SIZE PART NUMBER

A4

-

SCALE 1:1 WEIGHT

-

SHEET 1/1

D

A

4

4

3

3

2

2

1

1