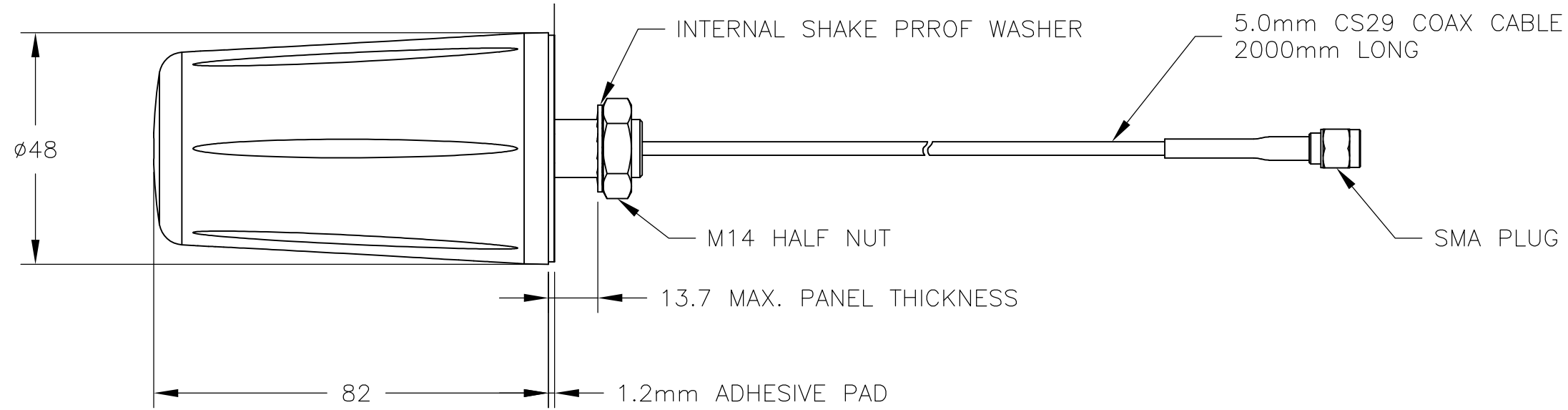
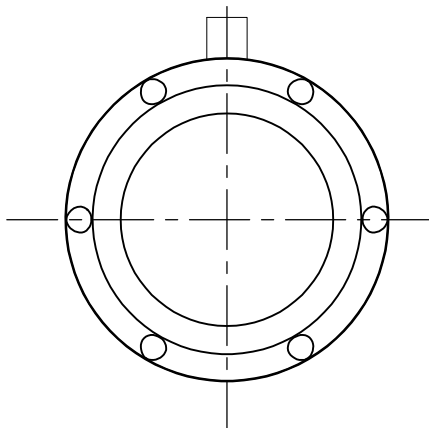


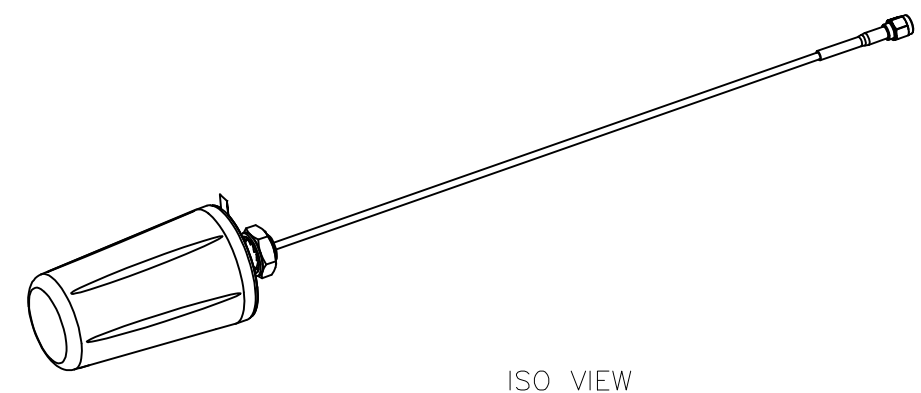
THIS DRAWING IS UNPUBLISHED.		RELEASED FOR PUBLICATION	
© COPYRIGHT - By -		ALL RIGHTS RESERVED.	
PROJECT NO.	PRJ-16-000905033		
PART NO.	1-2316881-1		
HV DESC.	SISO M2M/IOT LTE ANTENNA 2M CABLE		
CUSTOMER	GENERAL MARKET		

REVISIONS				
P	LTR	DESCRIPTION	DATE	APVD
	A	NEW RELEASE	22FEB2017	KK SE



OPERATING FREQUENCIES
698 - 960 / 1710 - 2700 MHz

- NOTES:
1. ALL MATERIALS SUPPLIED MUST BE RoHS2 (DIRECTIVE 2011/65/EU) COMPLIANT AND MUST NOT CONTAIN ANY SUBSTANCES OF VERY HIGH CONCERN (SVHCs) LISTED UNDER REACH OR POLY-AROMATIC HYDROCARBONS (PAHs), OR PERSISTENT ORGANIC POLLUTANTS (POPs) CONTROLLED BY THE STOCKHOLM CONVENTI.
 2. OPERATING TEMPERATURE -40 TO + 80°C.
 3. MAX. INPUT POWER: 60W.
 4. MATERIAL: HIGH IMPACT UV STABLE ABS.
 5. PEAK GAIN (dBi): 5
 6. PANEL MOUNTED WITH 14mm MOUNTING BUSH.
 7. PATTERN: OMNI-DIRECTIONAL.
 8. SUPPLIED WITH A CONVENIENT ADHESIVE PAD AND A SHORT PIGTAIL FOR CONNECTION TO A CABLE EXTENSION RUN THE ANTENNA IS COST EFFECTIVE TO INSTALL AND ADAPTABLE TO ANY INSTALL ENVIRONMENT.
 9. WEIGHT: 331 gr.



1-2316881-1	SISO M2M/IOT LTE ANTENNA 2M CABLE	BLACK/WHITE COLOR
TE P/N	DESCRIPTION	REMARKS

THIS DRAWING IS A CONTROLLED DOCUMENT.		DWN KIRAN K 21FEB2017	STE TE Connectivity		
DIMENSIONS: mm		CHK KIRAN K 21FEB2017			
TOLERANCES UNLESS OTHERWISE SPECIFIED:		APVD S EGBERT 21FEB2017	NAME SISO M2M/IOT LTE ANTENNA 2M CABLE		
0 PLC ± -		PRODUCT SPEC	SIZE		
1 PLC ± -		APPLICATION SPEC	CAGE CODE		
2 PLC ± -		WEIGHT	DRAWING NO		
3 PLC ± -			RESTRICTED TO		
4 PLC ± -			A3 00779 C-2316881		
ANGLES ± -			SCALE		
FINISH			SHEET		
MATERIAL			1 OF 1		
			REV		
			A		