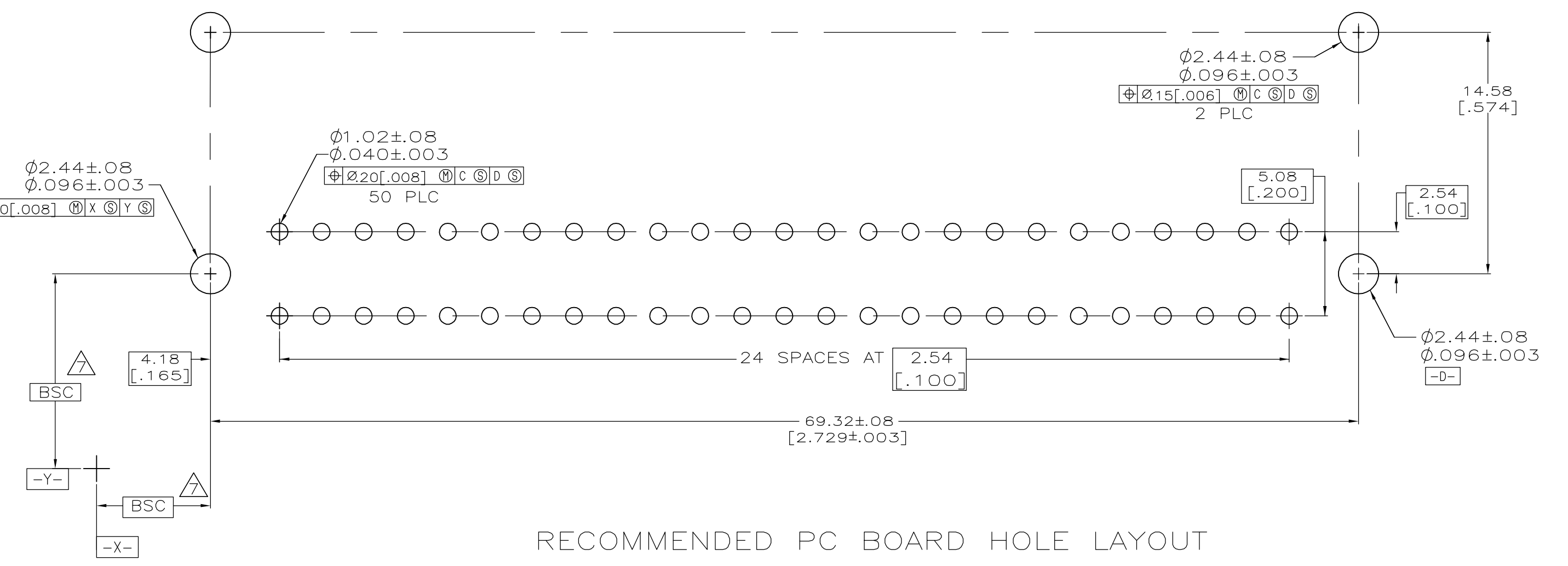
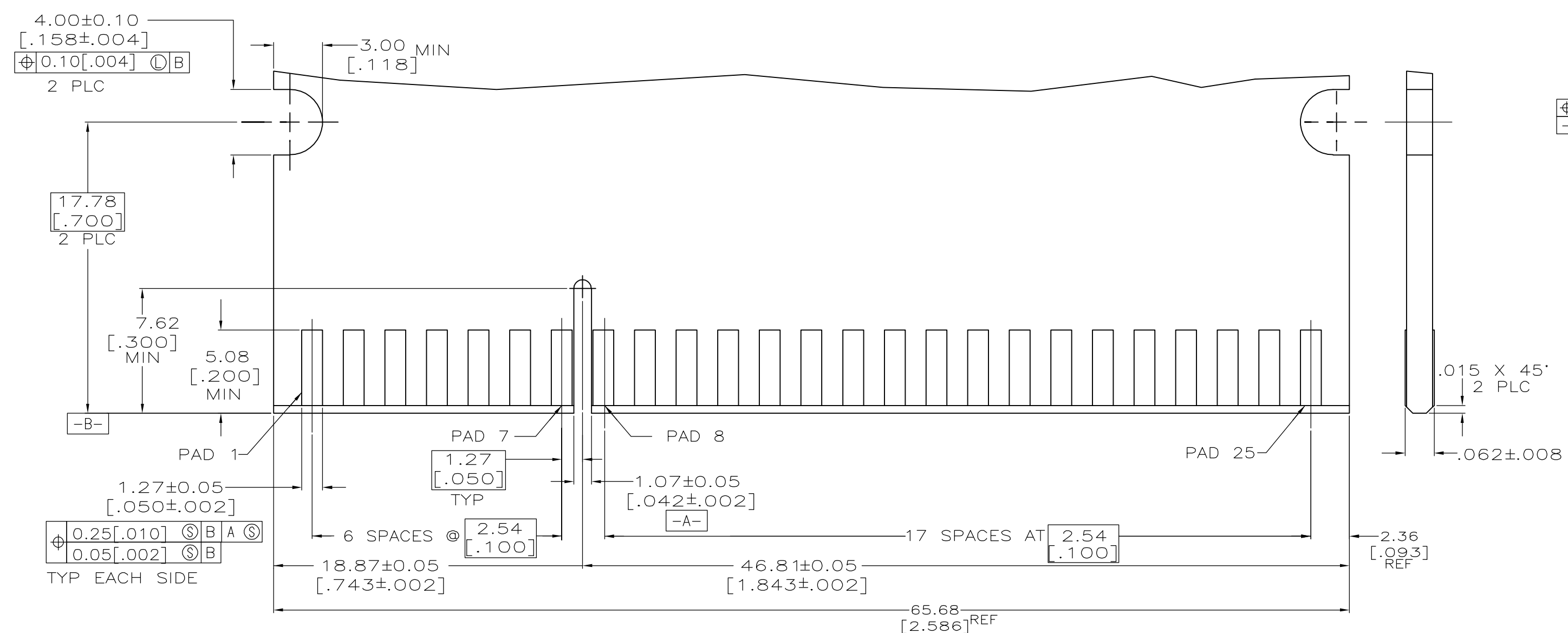
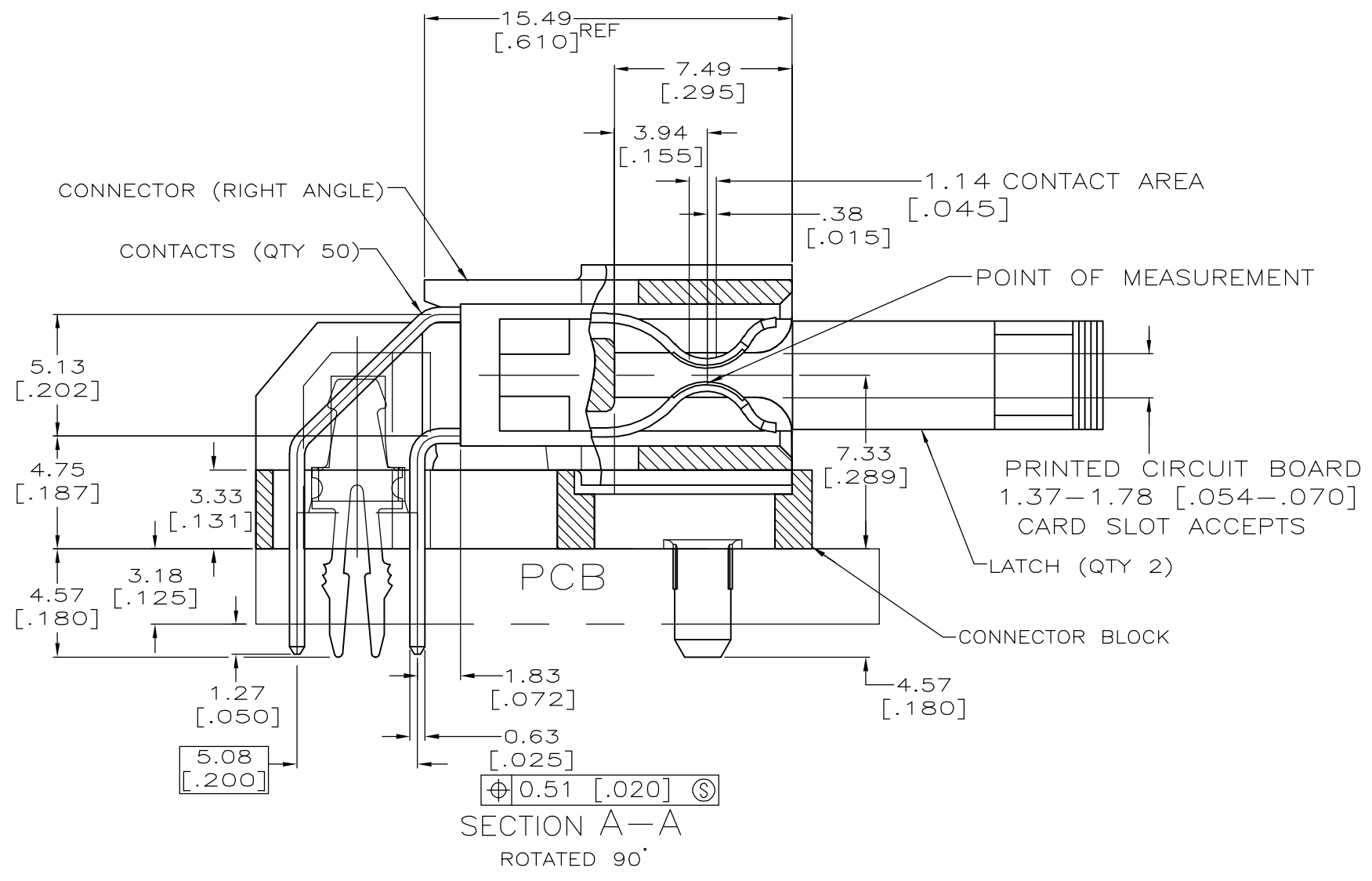
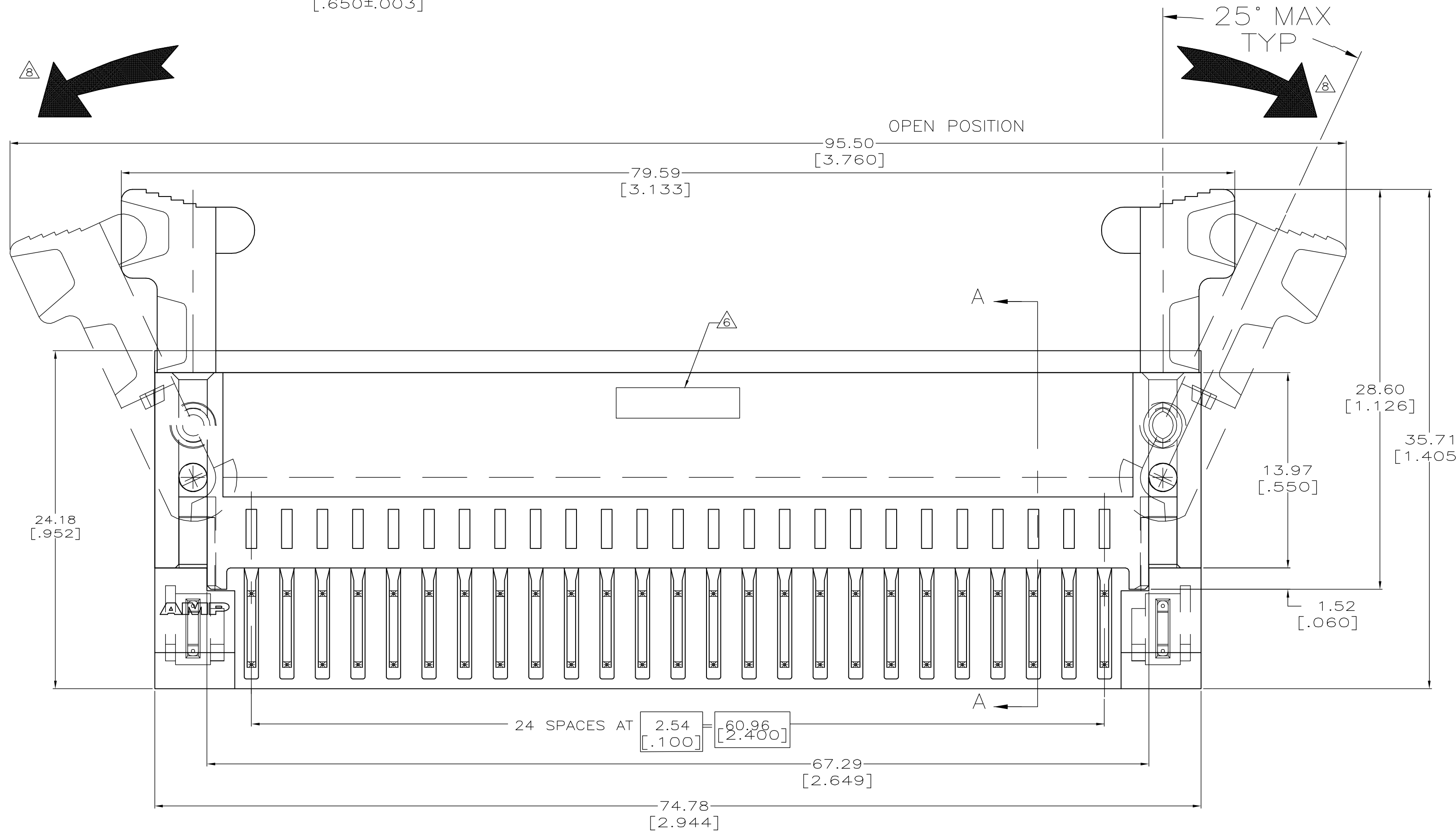


- 1 HOUSING AND SUPPORT BLOCK: GLASS FILLED POLYESTER; COLOR: BLACK.
- 2 CONTACT: PHOSPHOR BRONZE.
- 3 NICKEL PLATE: 0.00127 [.000050] MIN - ALL OVER.
- 4 MATTE TIN PLATE: 0.00254 [.000100] MIN - SOLDER POSTS.
- 5 GOLD PLATE: 0.00076 [.000030] MIN - CONTACT AREA.
- 6 AMP PART NUMBER, DATE CODE AND CSA LOGO MAY BE MARKED IN APPROXIMATE AREA SHOWN.
- 7 DATUMS AND BASIC DIMENSIONS ESTABLISHED BY CUSTOMER
- 8 CAUTION, LATCHES ARE INTENDED FOR RETENTION OF PC BOARD TO CONNECTOR. DO NOT ATTEMPT TO FULLY EJECT PC BOARD FROM CONNECTOR WHILE DISENGAGING LATCHES. DAMAGE TO LATCHES AND OR CONNECTOR WILL OCCUR. CONSULT AMP ENGINEERING FOR INFORMATION RELATED TO THIS CONNECTOR APPLICATION.



RECOMMENDED MATING BOARD EDGE CONFIGURATION

RECOMMENDED PC BOARD HOLE LAYOUT

25	6364633-1
NO OF POSN	PART NUMBER

THIS DRAWING IS A CONTROLLED DOCUMENT.		DIN AL FRANTUM 17 AUG 05		Tyco Electronics Corporation	
DIMENSIONS: mm		TOLERANCES UNLESS OTHERWISE SPECIFIED:		Tyco Electronics Corporation	
0 PLC ± .03 [.010]		1 PLC ± 0.13 [.005]		Harrisburg, Pa 17105-3608	
1 PLC ± .03 [.010]		2 PLC ± 0.13 [.005]		AL FRANTUM 17 AUG 05	
2 PLC ± .03 [.010]		3 PLC ± .03 [.010]		APVD	
3 PLC ± .03 [.010]		4 PLC ± .03 [.010]		NAME	
4 PLC ± .03 [.010]		ANGLES ± .2°		PRODUCT SPEC	
MATERIAL		FINISH		APPLICATION SPEC	
10 PLCS ± .03 [.010]		10 PLCS ± .03 [.010]		SIZE	
10 PLCS ± .03 [.010]		10 PLCS ± .03 [.010]		CASE CODE	
10 PLCS ± .03 [.010]		10 PLCS ± .03 [.010]		DRAWING NO	
10 PLCS ± .03 [.010]		10 PLCS ± .03 [.010]		RESTRICTED TO	
10 PLCS ± .03 [.010]		10 PLCS ± .03 [.010]		WEIGHT	
10 PLCS ± .03 [.010]		10 PLCS ± .03 [.010]		A1 00779	
10 PLCS ± .03 [.010]		10 PLCS ± .03 [.010]		CUSTOMER DRAWING	
10 PLCS ± .03 [.010]		10 PLCS ± .03 [.010]		SCALE 4:1	
10 PLCS ± .03 [.010]		10 PLCS ± .03 [.010]		SHEET 1 of 1	
10 PLCS ± .03 [.010]		10 PLCS ± .03 [.010]		REV A	